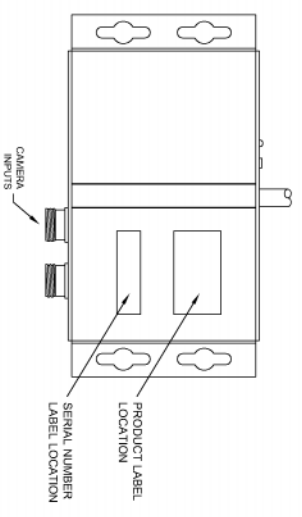
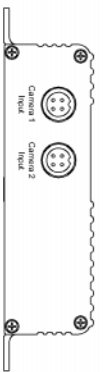
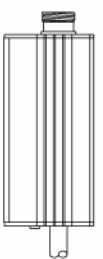
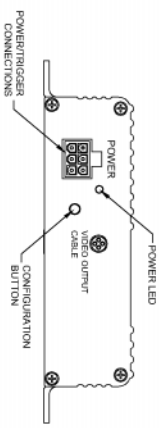
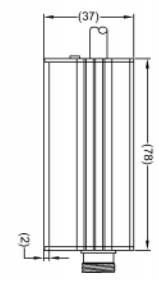
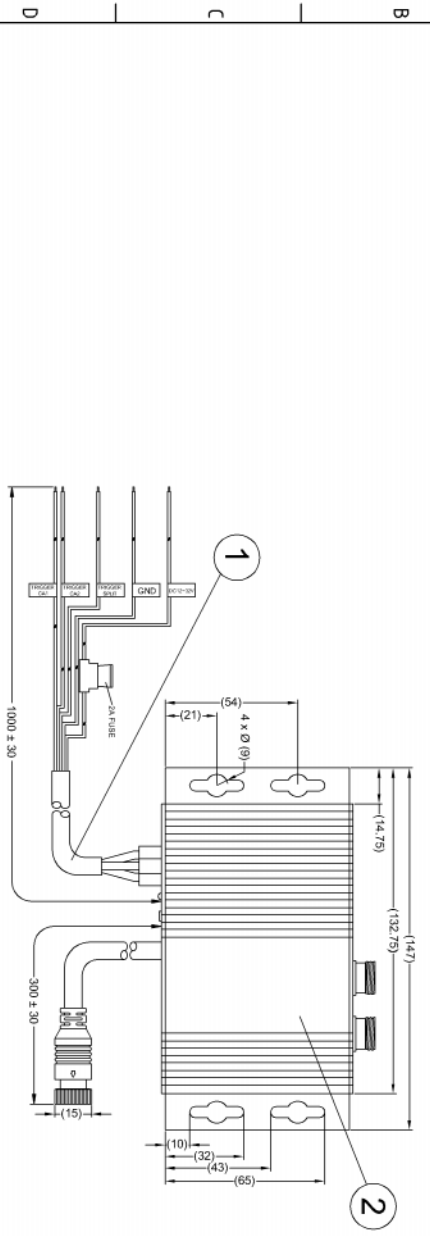


Revision Notes			
R1 -			
AP.A. -	Drawn -	Checked -	Approved -
			Date -

ITEM	PART NO.	QTY	MODEL/DESCRIPTION
①	(3333)	1	SS-002 CA CABLE ADAPTER
②	(3334A)	1	SS-002 ECU ONLY
③	(3335)	1	AC-028 ADAPTER CABLE (NOT SHOWN)
④	(3336A)	1	SS-002 IG INSTALLATION GUIDE (NOT SHOWN)



- NOTES:
1. REFER TO COMPONENT DRAWINGS FOR COMPONENT DETAIL.
  2. FOR GIFTBOX LABEL REFER TO LATEST REVISION OF DRAWING BE-003077-XX-15.
  3. FOR GIFTBOX SERIAL NUMBER LABEL REFER TO LATEST REVISION OF DRAWING BE-003076-XX-15.
  4. PURCHASE ORDER TO DEFINE PACKAGING VARIANT.
  5. REFER TO LATEST REVISION OF DRAWING BE-003078-XX-15 FOR PACKAGING DETAIL.

PROPRIETARY NOTICE  
 THIS DESIGN AND TECHNICAL INFORMATION APPEARING ON THIS DRAWING IS THE PROPERTY OF BRIGADE ELECTRONICS AND IS DISCLOSED IN CONFIDENCE. IT IS NOT TO BE COPIED, REPRODUCED, REVEALED TO OR EXPLOITED BY OTHERS, EITHER IN WHOLE OR IN PART WITHOUT THE EXPRESS WRITTEN CONSENT OF BRIGADE ELECTRONICS.

**BRIGADE**  
 www.brigade-electronics.com

 Angle of Projection Third Angle	Assembly Pl Approval YILING ZHANG		Approved by B.JOHN	Checked by R.BATES	Drawn by L.BRAR
	Units mm	Scale N/A	Released 26/03/15	Assembly Ref SV-M002731TCA	Status RELEASED
Part No 3044A		SS-002			
BE-003074-00-15		FrameV3			